

PRODUCT INFORMATION PACKET

Model No: 145TTDR6036

Catalog No: GT0407

2 HP Close-Coupled Pump Motor, 3 phase, 1800 RPM, 230/460 V, 145JM Frame, ODP
JM Motors



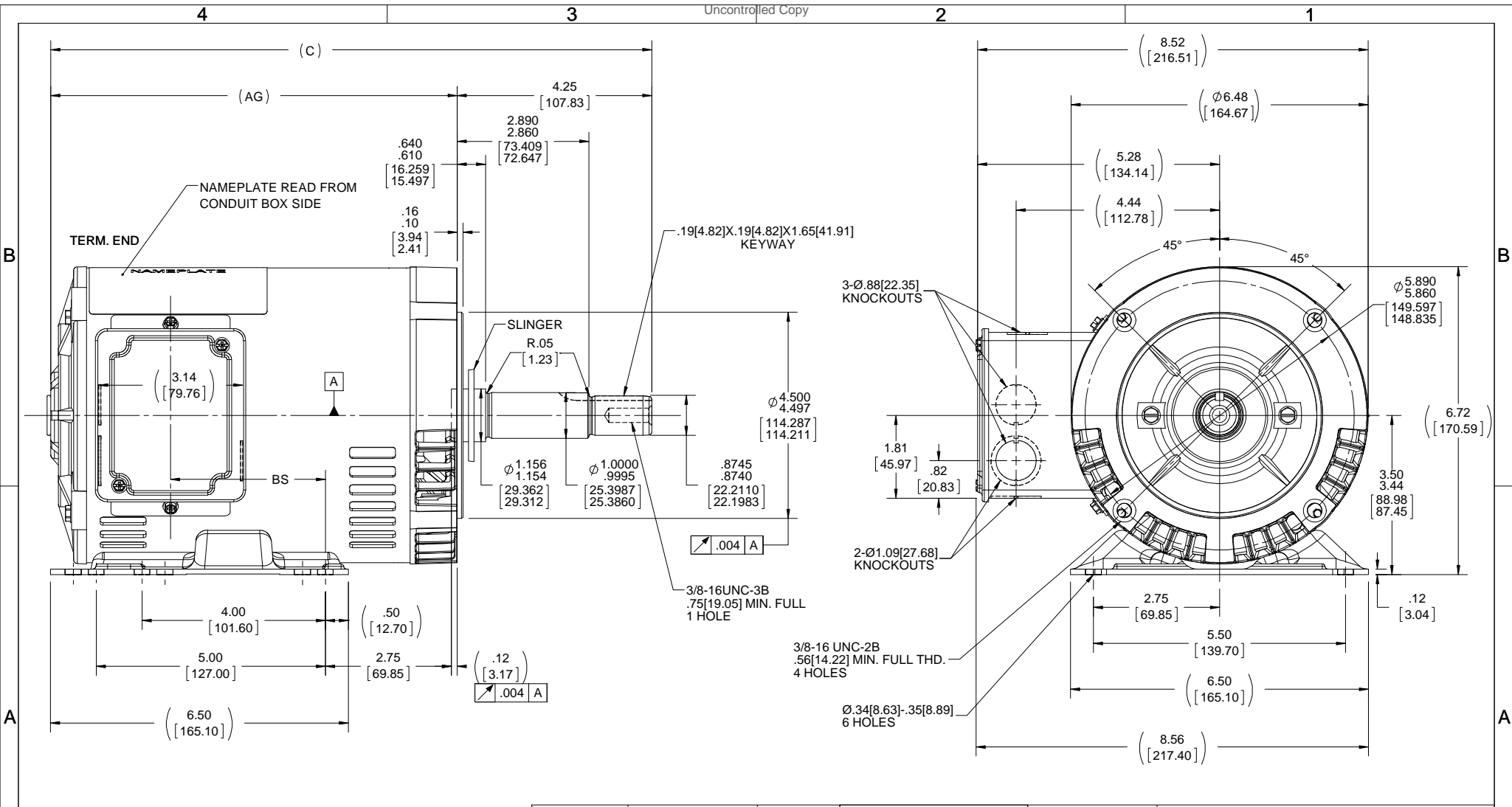
Nameplate Specifications

Output HP	2 Hp	Output KW	1.5 kW
Frequency	60 Hz	Voltage	230/460 V
Current	6.0/3.0 A	Speed	1750 rpm
Service Factor	1.15	Phase	3
Efficiency	86.5 %	Power Factor	74.5
Duty	Continuous	Insulation Class	F
Design Code	B	KVA Code	N
Frame	145JM	Enclosure	Drip Proof
Thermal Protection	No	Ambient Temperature	40 °C
Drive End Bearing Size	6206	Opp Drive End Bearing Size	6203
UL	Recognized	CSA	Y
CE	Y	IP Code	22

Technical Specifications

Electrical Type	Squirrel Cage Inverter Rated	Starting Method	Line Or Inverter
Poles	4	Rotation	Reversible
Resistance Main	6.4 Ohms	Mounting	Rigid Base
Motor Orientation	Horizontal	Drive End Bearing	Ball
Opp Drive End Bearing	Ball	Frame Material	Rolled Steel
Shaft Type	JM	Overall Length	15.62 in
Frame Length	9.56 in	Shaft Diameter	0.875 in
Shaft Extension	4.25 in	Assembly/Box Mounting	F1 ONLY
Connection Drawing	EE7308	Outline Drawing	100130-956

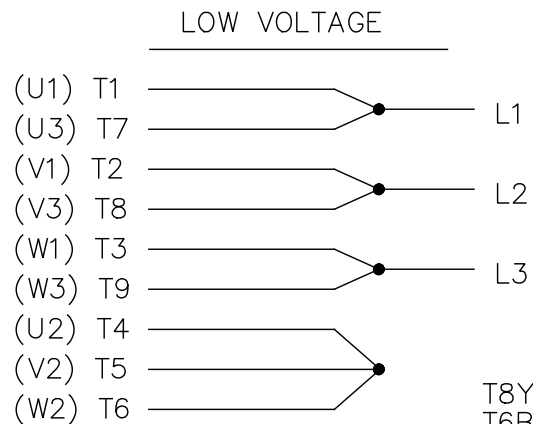
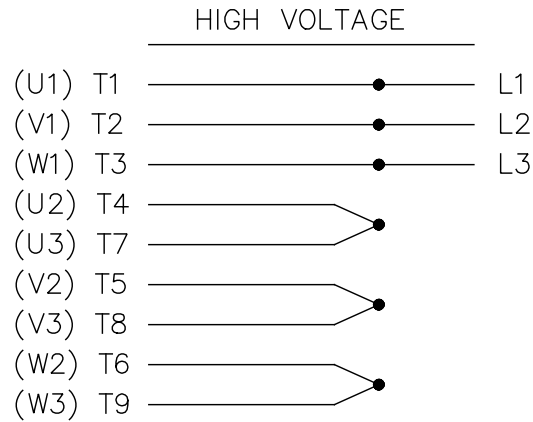
This is an uncontrolled document once printed or downloaded and is subject to change without notice. Date Created:18/06/2020



DASH NO.	"C"	"AG"	"BS"	DRAWING REVISION	REVISION BY	DATE	TOLERANCES UNLESS OTHERWISE SPECIFIED:	DRAWN BY	Regal Beloit America, Inc.
706	13.11[332.99]	8.87[225.29]	3.37[85.59]	F	A. KEETHA	01/05/2018	DEC. X ±0.1 [±2.5]	SMC	
756	13.61[345.69]	9.37[237.99]	3.87[98.29]	ECO-0143026	PST	04/11/2018	.XX ±0.03 [±0.76]	09-30-1999	
806	14.11[358.39]	9.87[250.69]	4.37[110.99]	ECO DESCRIPTION			.XXX ±0.005 [±0.127]	APPROVED BY	
856	14.61[371.09]	10.37[263.39]	4.87[123.69]	OUTLINE CONVERSION PROJECT COPYRIGHT REGAL BELOIT AMERICA, INC. ALL RIGHTS RESERVED. PROPRIETARY AND CONFIDENTIAL INFORMATION - THIS DOCUMENT IS THE PROPERTY OF REGAL BELOIT AMERICA, INC. ("OWNER") AND CONTAINS OWNER'S PROPRIETARY INFORMATION. ANY PERSON, CORPORATION OR OTHER FIRM RECEIVING IT IS DEEMED, BY RECEIVING IT, TO AGREE THAT IT, AND/OR ANY PART OF IT, SHALL NOT BE DISCLOSED TO ANY PERSON, CORPORATION OR OTHER ENTITY, DUPLICATED, AND/OR USED, EXCEPT AS EXPRESSLY APPROVED IN WRITING IN ADVANCE BY OWNER. THIS DOCUMENT SHALL BE RETURNED TO OWNER UPON REQUEST. IT MAY BE SUBJECT TO CERTAIN RESTRICTIONS UNDER APPLICABLE EXPORT CONTROL LAWS AND REGULATIONS.			ML	DESCRIPTION	
906	15.11[383.79]	10.87[276.09]	5.37[136.39]				MACHINED SURFACES: 200 INCH/mm 5.1	01-24-1999	OUTLINE
							REMOVE BURRS & BREAK SHARP EDGES: .003/.015 [0.076/.381] X 45° CORNER FILLETS: R.02 [51]	REFERENCE	140 FR. - DR. PR. 3Ø - C'FACE JM EXT.
							THIRD ANGLE PROJECTION	100130	MATERIAL
							SIZE B	DRAWING NUMBER	PROCESS/FINISH
								100130	
									SHEET 1 OF 1

EE7308

THREE PHASE
DUAL VOLTAGE MOTOR



VIEW OF TERMINAL END

REF.
WINDING DIAGRAM

T8Y, T2Y, T2BL, T4BX, T2EC, T2G
T6BZ, T2B, T6BL, T4AV, T6B, T4B

OPTIONAL CORD
CONNECTION

L1 — WHITE
L2 — RED
L3 — BLACK

NO.	REVISION	BY & DATE	CHK	ANG	TOLERANCES UNLESS SPECIFIED		FINISH	DRAWN RM 11/20/1990				
					DEC.	INCHES						
5	CHG TO REGAL LOGO	SL 09/10/2015	AB					CHK ML 11/21/1990				
4	REVISED IEC NOTATIONS	MSG 11/15/2011	CMN	.X	±.1			APPD SAS 04/24/2003				
3	ADDED IEC NOTATIONS... (U1), (V1) ETC. MU95194	MSG 5/10/2010	MJS	.XX	±.02			SCALE 1=1				
2	ADDED THE OPTIONAL CORD CONNECTION MU46318	RDH 04/24/2003	DRS	.XXX	±.005		TITLE CONNECTION DIAGRAM 3Ø - DUAL VOLTAGE MOTOR	REF				
1	REDRAWN	RM 11/20/1990		.XXXX	±.0005		MAT'L.	FMF				
					±7'30"			PREV				
THIS DRAWING IN DESIGN AND DETAIL IS OUR PROPERTY AND MUST NOT BE USED EXCEPT IN CONNECTION WITH OUR WORK ALL RIGHTS OF DESIGN AND INVENTION ARE RESERVED THIS IS AN ELECTRONICALLY GENERATED DOCUMENT - DO NOT SCALE THIS PRINT							RFP	CAD FILE ee7308	SIZE A	DRAWING NO. EE7308	PAGE OF 5	REV. 5
							DIST WP					



Regal Beloit America, Inc.

Data Sheet

Date: 29-06-2017
 Customer: _____
 Attention: _____
 Submitted by: FAREEDA DUDEKULA



145TTDR6036

Submittal

Data @ 460 V

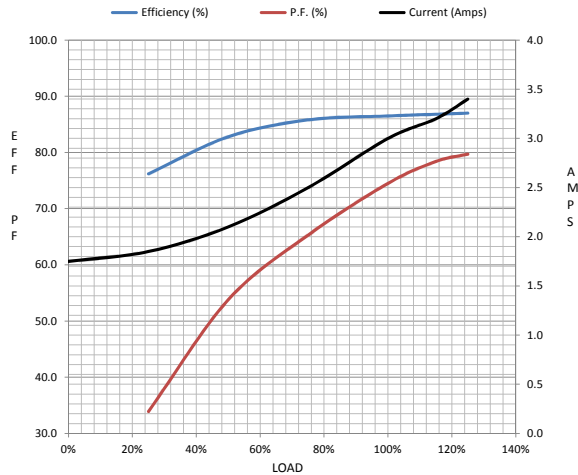
Motor Load Data

Load	0%	25%	50%	75%	100%	115%	125%	LR
Current (Amps)	1.75	1.85	2.10	2.50	3.0	3.2	3.4	28.4
Torque (ft-lb)	0.00	1.50	2.95	4.5	6.0	7.0	7.6	24.1
RPM	1800	1789	1778	1765	1750	1,745	1740	0
Efficiency (%)		76.2	82.8	85.8	86.5	86.8	87.0	
P.F. (%)	7.9	33.9	53.8	65.3	74.5	78.4	79.7	71.5

Motor Speed Data

	LR	Pull-Up	BD	Rated	Idle
Speed (RPM)	0	125	1220	1750	1800
Current (Amps)	28.4	25.5	17.6	3.0	1.75
Torque (ft-lb)	24.1	22.0	30.7	6.0	0.00

Information Block				
HP	2.0			
Sync. RPM	1800			
Frame	56			
Enclosure	DP			
Construction	TDR			
Voltage	30/460#190/38V			
Frequency	60 Hz			
Design	A			
LR Code letter	N			
Service Factor	1.15			
Temp Rise @ FL	38 ° C			
Duty	CONT			
Ambient	40 ° C			
Elevation	1,000 feet			
Rotor/Shaft wk²	0.09 Lb-Ft²			
Ref Wdg	ZT4260 NONE			
Sound Pressure @ 1M	56 dBA			
VFD Rating	CONSTANT 10:1			
Outline Dwg	100130-956			
Conn. Diag	EE7308			
Additional Specifications:				
0				
365THFS8036				
EQUIV CKT (OHMS / PHASE)				
R1	R2	X1	X2	Xm
4.1180	3.2660	6.2480	5.6800	163.3000



Speed -Torque Curve

